

2-Element Yagi Antenna 146 ... 174 MHz

Vertical / Horizontal Polarization

The Schomandl K531921 is a robust yagi antenna intended for use in professional fixed-station applications with highest performance and stability requirements in the 146-174 MHz band.

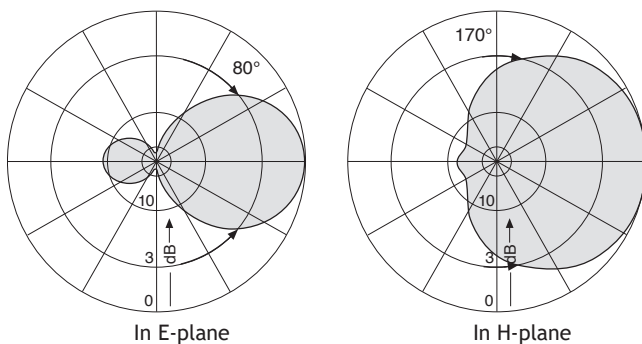
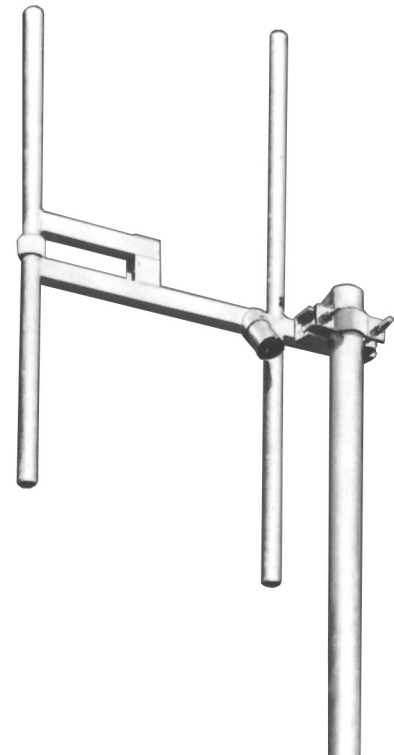
- 2 Element Yagi with 170° beam width
- Rugged hot-dip galvanized steel construction.
- Entire antenna at DC ground potential.

Type No.	K 53 19 21
Frequency range	146 - 174 MHz
Polarization	Usable for horizontal or vertical polarization
Gain (ref. $\lambda/2$ dipole)	3 dB
Impedance	50 Ω
VSWR	< 1.4
Max. power	560 W (at 50 °C ambient temperature)
HCM-Code(s)	HCM09EC00, 036EA34
Order No.	80000004

Material: Hot-dip galvanized steel.
All screws and nuts: Stainless steel.

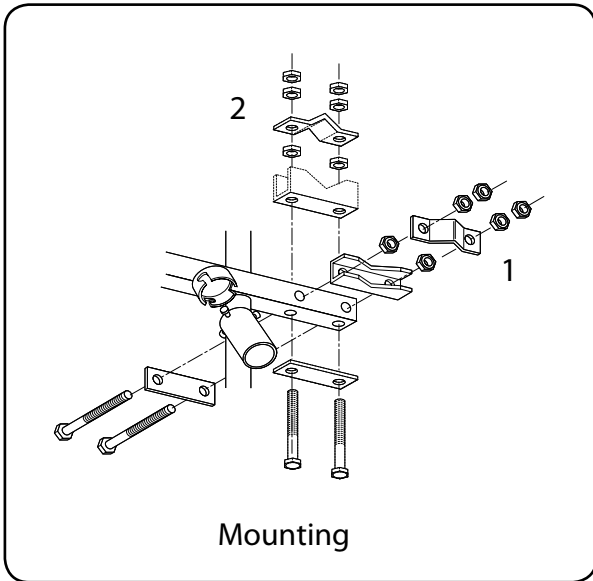
Mounting: On masts from 60-125 mm [2.4-4.9 inches] diameter, clamps supplied.

Grounding: All metal parts of the antenna including the mounting kit are DC grounded.



Mechanical specifications	
Input	N female
Wind load (N) (at 150 km/h) [lbf]	145 [33]
Max. wind velocity (km/h) [mph]	200 [124]
Height (mm) [inches]	approx. 1060 [41.7]
Yagi length (mm) [inches]	approx. 650 [25.6]
Weight (kg) [lb]	6.5 [14.3]
Packing size (mm) [inches]	1124 x 816 x 92 [44.3 x 32.1 x 3.6]

2-Element Yagi Antenna 146 ... 174 MHz Vertical / Horizontal Polarization



Mounting Options :

1. For vertical polarization
2. For horizontal polarization

